

TAP A NEW ENERGY CLASS



Multidecks

Remote vertical low island with double (or single) rounded head, ideal for displaying cold cuts, dairy products and beverages. Special depth of shelves and body guarantees a wide area for product display.



MAUI 3M2

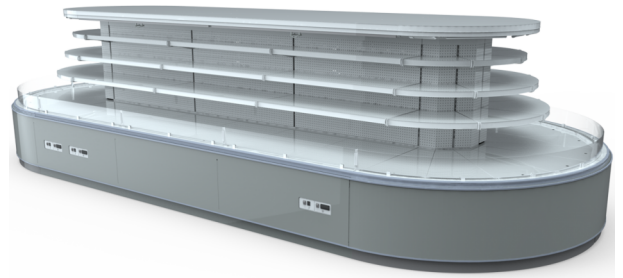
MAUI - Multidecks

Power supply

Remote

Climatic classes

3 M2



Exhibition categories



Dairy, milk, cheese



Delicatessen



Fruit and vegetables



Impulse



Ready meals and salads



Sausages & salami

Standard features

3 shelves with priceholders
Digital Thermometer
Expansion valve
Low Multideck joinable back to back with headcase
Single top lighting
Terminal board
White display plates

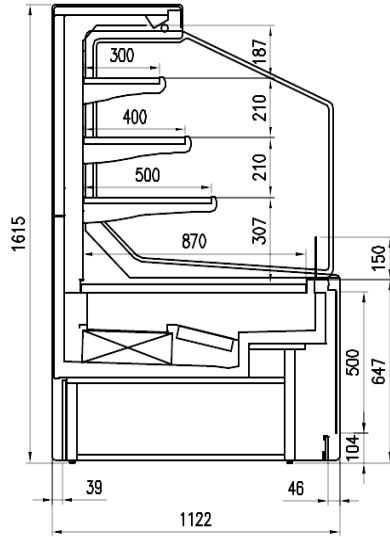
Accessories

Dividers
EC Fans
Electronic control
Electronic valve
Manual night blind
Multiplexing kit for back to back configuration
Shelf lighting LED/T5
Stainless steel bumper
Wooden Crate

Available dimensions

External depth (mm)	1122
Front Height (mm)	667
Height (mm)	1635
Length without side walls (mm)	1250;1875;2500;3750;TE
	STATA
Shelves' depth (mm)	500/400/300
Shelves' rows (N°)	3

CROSS SECTIONS



BMM 3 RIP

MAUI 3M2

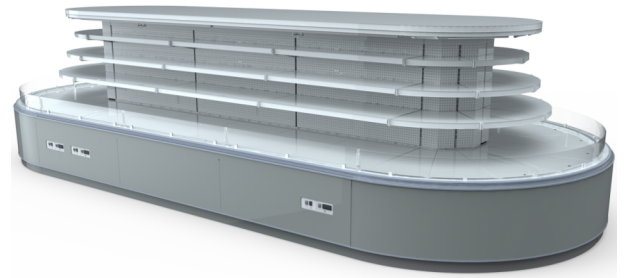
MAUI - Multidecks

Power supply

Remote

Climatic classes

3 M2



Available colours

1015

1021

2011

3002

3020

5005

5012

6018

7035

7037

9006

9010

9011

Exhibition categories



Dairy, milk, cheese



Delicatessen



Fruit and vegetables



Impulse



Ready meals and
salads



Sausages & salami

Standard features

3 shelves with priceholders
Digital Thermometer
Expansion valve
Low Multideck joinable back to back with headcase
Single top lighting
Terminal board
White display plates

Accessories

Dividers
EC Fans
Electronic control
Electronic valve
Manual night blind
Multiplexing kit for back to back configuration
Shelf lighting LED/T5
Stainless steel bumper
Wooden Crate

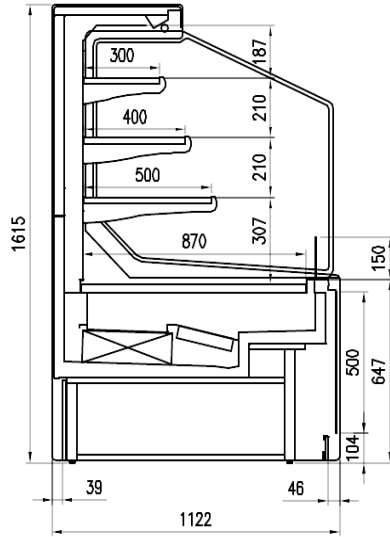
Available dimensions

External depth (mm)	1122
Front Height (mm)	667
Height (mm)	1635
Length without side walls (mm)	1250;1875;2500;3750;TE
	STATA
Shelves' depth (mm)	500/400/300
Shelves' rows (N°)	3

A SELECTION FROM OUR INSTALLATION



CROSS SECTIONS



BMM 3 RIP



Pastorfrigor S.p.A.

Reg. Gabannone, 4 Z.I. · 15033 Terruggia (AL) · Italy
Tel. +39 0142 433 711 · Fax +39 0142 433 701 · info@pastorfrigor.it
P.IVA IT00578270068 | REA AL-00578270068
www.pastorfrigor.it