

TAP A NEW ENERGY CLASS



VENEZIA OVERVIEW ROLL-IN

Multidecks

Superior roll-in milk remote multideck merchandiser. Functional fresh milk multideck display with flexible options and design for all supermarket needs. The Venezia RIM provides you with all the answers.



VENEZIA OV ROLL IN H205 3M2 C/F

VENEZIA OVERVIEW ROLL-IN - Multidecks

Power supply

Remote

Climatic classes

3 M2



Exhibition categories



Chilled drinks



Dairy, milk, cheese

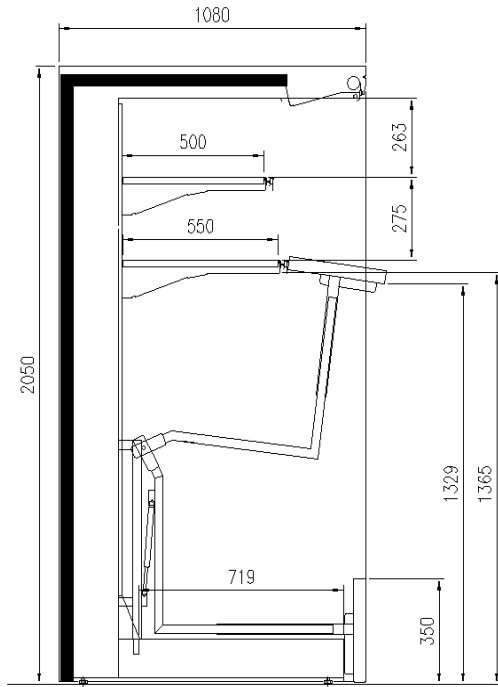
Standard features

- 2 shelves with priceholders
- Digital Thermometer
- Expansion valve
- Single top lighting
- Terminal board
- Wall cabinet without front
- White internal body

Accessories

- CO2 refrigeration system
- Dividers
- Electronic control
- Electronic valve
- LED lighting
- Manual or electronic night blind

CROSS SECTIONS



H205 P110 CF

VENEZIA OV ROLL IN H205 3M2 S/F

VENEZIA OVERVIEW ROLL-IN - Multidecks

Power supply

Remote

Climatic classes

3 M2



Exhibition categories



Chilled drinks



Dairy, milk, cheese

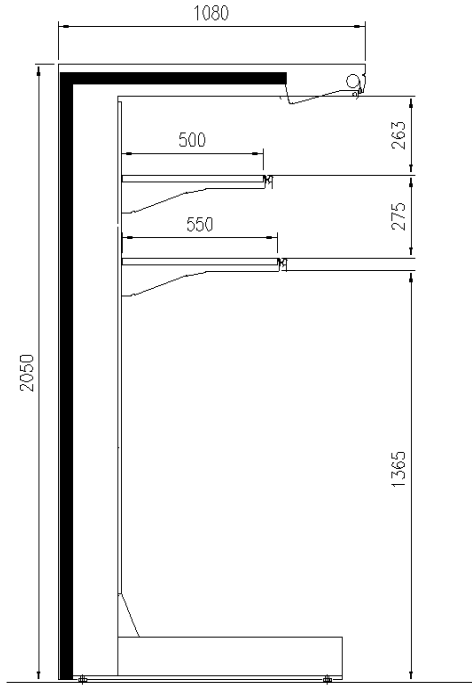
Standard features

- 2 shelves with priceholders
- Digital Thermometer
- Expansion valve
- Single top lighting
- Terminal board
- Wall cabinet without front
- White internal body

Accessories

- CO2 refrigeration system
- Dividers
- Electronic control
- Electronic valve
- LED lighting
- Manual or electronic night blind

CROSS SECTIONS



H205 P110

VENEZIA OV ROLL IN H216 3M2 S/F

VENEZIA OVERVIEW ROLL-IN - Multidecks

Power supply

Remote

Climatic classes

3 M2



Exhibition categories



Chilled drinks



Dairy, milk, cheese

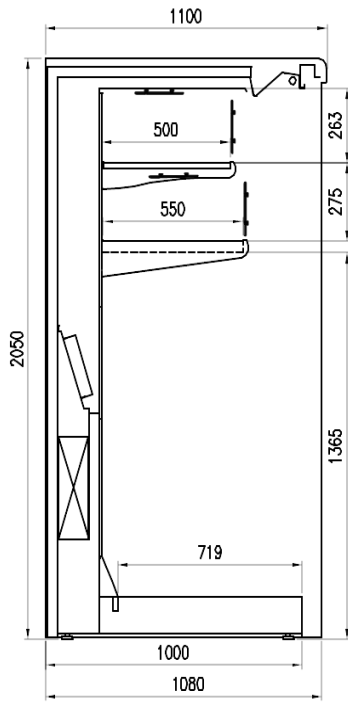
Standard features

- 2 shelves with priceholders
- Digital Thermometer
- Expansion valve
- Grey ABS bumper
- Single top lighting
- Terminal board
- Wall cabinet without front
- White internal body

Accessories

- CO2 refrigeration system
- Dividers
- Electronic control
- Electronic valve
- LED lighting
- Manual or electronic night blind

CROSS SECTIONS



H205 P110 ROLL-IN SF

VENEZIA OV ROLL IN H216 3M2 S/F

VENEZIA OVERVIEW ROLL-IN - Multidecks

Power supply

Remote

Climatic classes

3 M2



Available colours

1015

1021

2011

3002

3020

5005

5012

6018

7035

7037

9006

9010

9011

Exhibition categories



Chilled drinks



Dairy, milk, cheese

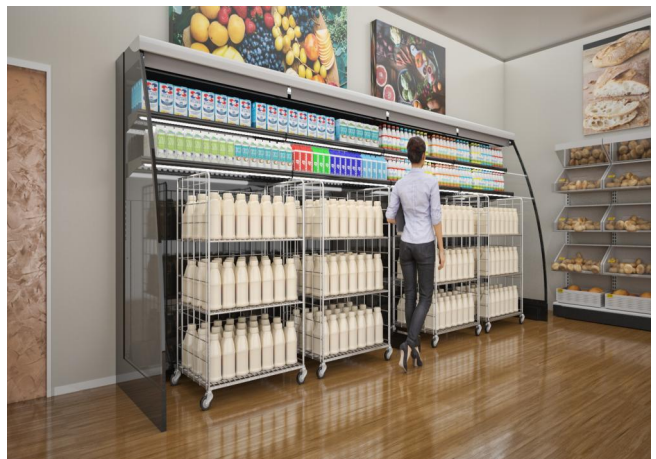
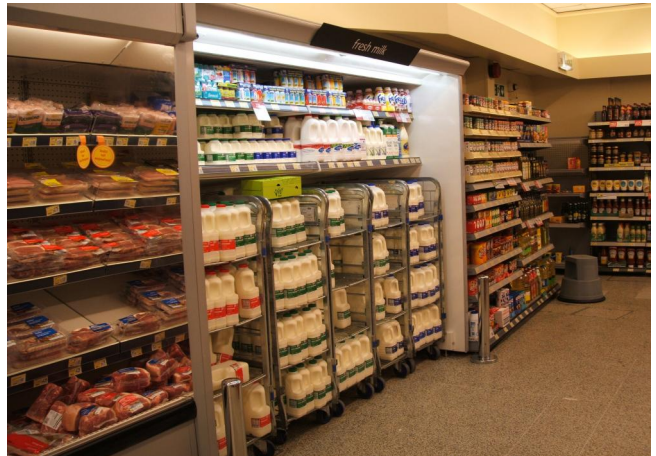
Standard features

- 2 shelves with priceholders
- Digital Thermometer
- Expansion valve
- Grey ABS bumper
- Single top lighting
- Terminal board
- Wall cabinet without front
- White internal body

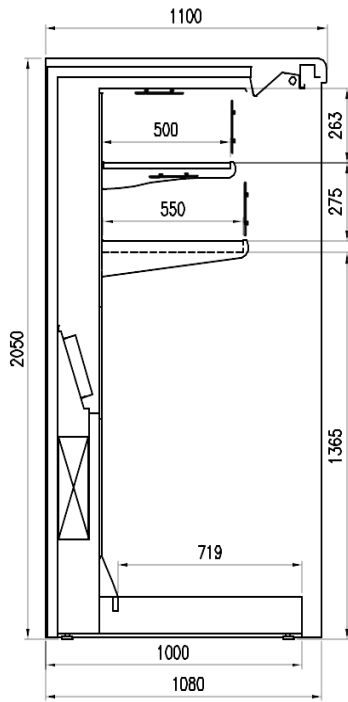
Accessories

- CO2 refrigeration system
- Dividers
- Electronic control
- Electronic valve
- LED lighting
- Manual or electronic night blind

A SELECTION FROM OUR INSTALLATION



CROSS SECTIONS



H205 P110 ROLL-IN SF



Pastorfrigor S.p.A.

Reg. Gabannone, 4 Z.I. · 15033 Terruggia (AL) · Italy
Tel. +39 0142 433 711 · Fax +39 0142 433 701 · info@pastorfrigor.it
P.IVA IT00578270068 | REA AL-00578270068
www.pastorfrigor.it