

# TAP A NEW ENERGY CLASS



# VENEZIA OVERVIEW BASSO

## Multidecks

Impressive low height multideck chiller. Improve the vision across your store with the Venezia Low height multideck. With two height options and three depths this remote multideck will leave you with no other option.



# VENEZIA BASSO H130 3M2

## VENEZIA OVERVIEW BASSO - Multidecks

### Power supply

Remote

### Climatic classes

3 M2



### Exhibition categories



Chilled drinks



Dairy, milk, cheese



Delicatessen



Food to go



Ready meals and salads



Sausages & salami



Snacks / Sandwiches

### Standard features

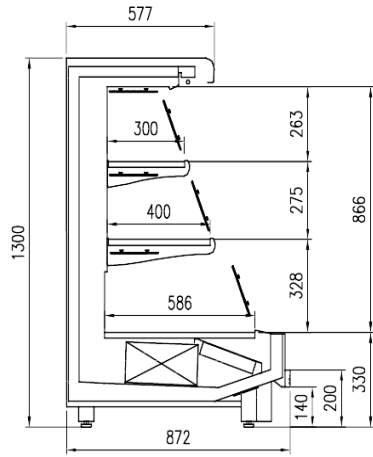
- 2 shelves
- Digital Thermometer
- Expansion valve
- Fan assisted cooling
- Grey ABS bumper
- Low Multideck joinable back to back with headcase
- Single top lighting
- Terminal board
- White internal body

### Accessories

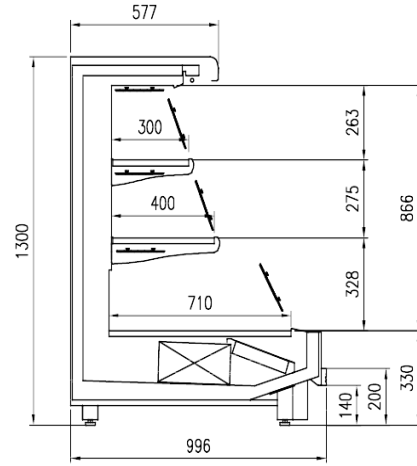
- CO2 refrigeration system
- Control board Master and Slave
- Dividers
- EC Fans
- Electronic control
- Electronic valve
- Internal and external RAL colours
- LED lighting
- Manual night blind
- Shelf lighting LED
- Stainless steel bumper

# CROSS SECTIONS

---



H130 P87 F330



H130 P100  
F330

# VENEZIA BASSO H160 3M2

## VENEZIA OVERVIEW BASSO - Multidecks

### Power supply

Remote

### Climatic classes

3 M2



### Exhibition categories



Chilled drinks



Dairy, milk, cheese



Delicatessen



Food to go



Ready meals and salads



Sausages & salami



Snacks / Sandwiches

### Standard features

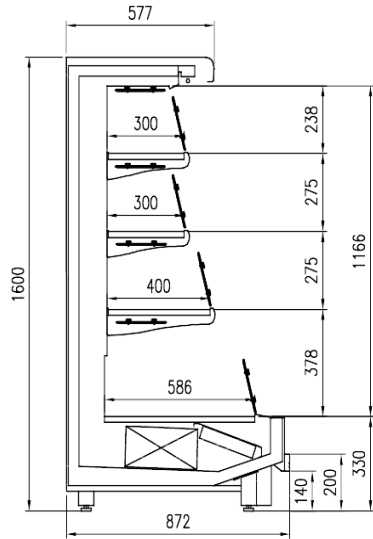
- 3 shelves with priceholders
- Digital Thermometer
- Expansion valve
- Fan assisted cooling
- Grey ABS bumper
- Low Multideck joinable back to back with headcase
- Single top lighting
- Terminal board
- White internal body

### Accessories

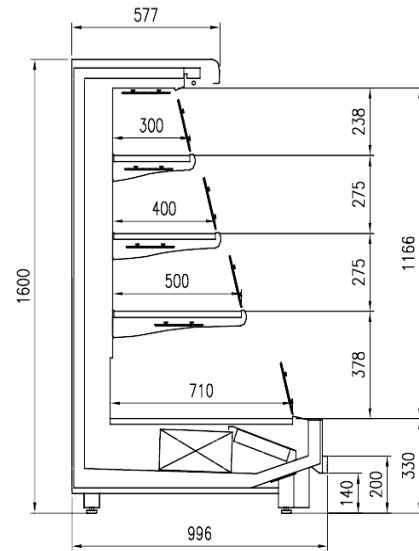
- CO2 refrigeration system
- Control board Master and Slave
- Dividers
- EC Fans
- Electronic control
- Electronic valve
- Internal and external RAL colours
- LED lighting
- Manual night blind
- Shelf lighting LED
- Stainless steel bumper

# CROSS SECTIONS

---



H160 P87  
F330



H160 P100  
F330

# VENEZIA BASSO H160 3M2

## VENEZIA OVERVIEW BASSO - Multidecks

### Power supply

Remote

### Climatic classes

3 M2



### Available colours

1015

1021

2011

3002

3020

5005

5012

6018

7035

7037

9006

9010

9011

### Exhibition categories



Chilled drinks



Dairy, milk, cheese



Delicatessen



Food to go



Ready meals and  
salads



Sausages & salami



Snacks / Sandwiches

### Standard features

- 3 shelves with priceholders
- Digital Thermometer
- Expansion valve
- Fan assisted cooling
- Grey ABS bumper
- Low Multideck joinable back to back with headcase
- Single top lighting
- Terminal board
- White internal body

### Accessories

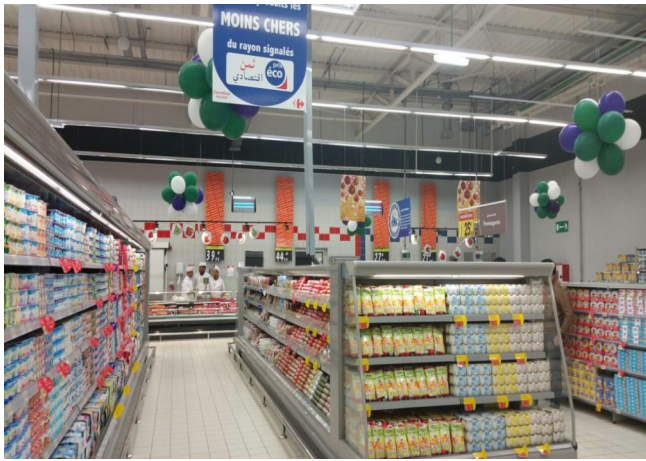
- CO2 refrigeration system
- Control board Master and Slave
- Dividers
- EC Fans
- Electronic control
- Electronic valve
- Internal and external RAL colours
- LED lighting
- Manual night blind
- Shelf lighting LED
- Stainless steel bumper

# A SELECTION FROM OUR INSTALLATION

---



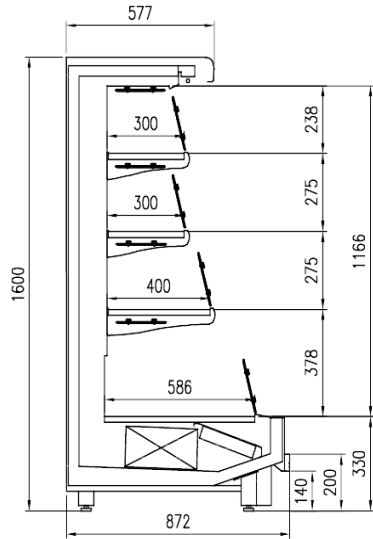




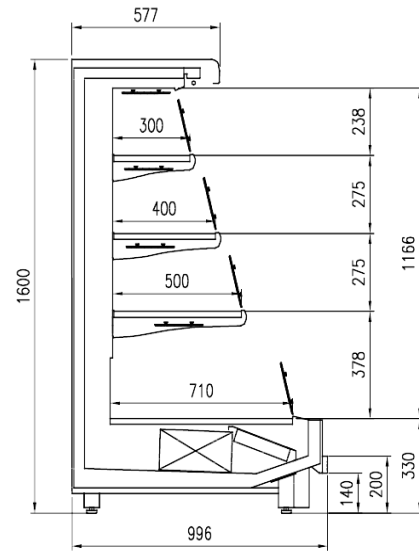


# CROSS SECTIONS

---



H160 P87  
F330



H160 P100  
F330



**Pastorfrigor S.p.A.**

Reg. Gabannone, 4 Z.I. · 15033 Terruggia (AL) · Italy  
Tel. +39 0142 433 711 · Fax +39 0142 433 701 · [info@pastorfrigor.it](mailto:info@pastorfrigor.it)  
P.IVA IT00578270068 | REA AL-00578270068  
[www.pastorfrigor.it](http://www.pastorfrigor.it)