

TAP A NEW ENERGY CLASS



SARQA

Multidecks

The Sara Q is a practicable low height impulse chiller. Plug-in impulse display for your convenience.



SARA Q

SARAQ - Multidecks

Power supply

Plug in

Climatic classes

3 M1

3 M2



Exhibition categories



Chilled drinks



Dairy, milk, cheese



Delicatessen



Food to go



Impulse



Ready meals and salads



Sausages & salami



Snacks / Sandwiches

Standard features

2 shelves with priceholders
Available with gas R290
Electronic control
Glazed endwalls included
LED lighting

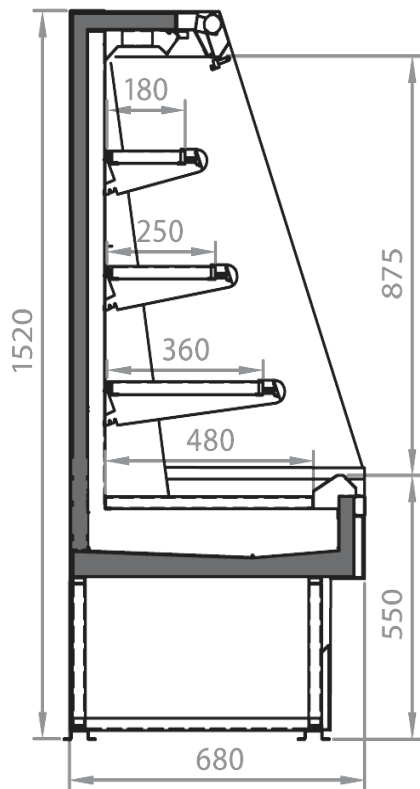
Accessories

Manual night blind
Movable and fix divider
Shelf lighting LED

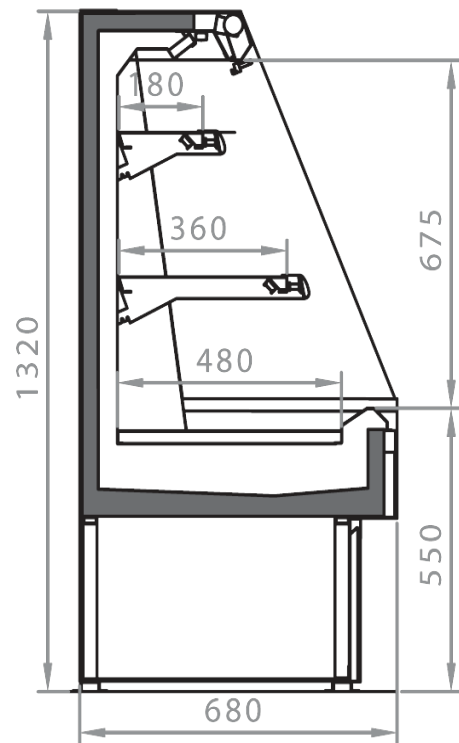
Available dimensions

External depth (mm)	680
Front Height (mm)	550
Height (mm)	1320-1520
Length with side walls (mm)	705 -1017- 1330-1955
Length without side walls (mm)	625-937-1250-1875
Shelves' depth (mm)	180-250-360
Shelves' rows (N°)	2/3
Thickness side walls (mm)	80

CROSS SECTIONS



SARA 1500 Q



SARA 1300 Q

SARA Q H130 3M2

SARAQ - Multidecks

Power supply

Plug in

Climatic classes

3 M2



Exhibition categories



Chilled drinks



Dairy, milk, cheese



Delicatessen



Food to go



Impulse



Ready meals and salads



Sausages & salami



Snacks / Sandwiches

Standard features

2 shelves with priceholders
Available with gas R290
Electronic control
Glazed endwalls included
LED lighting

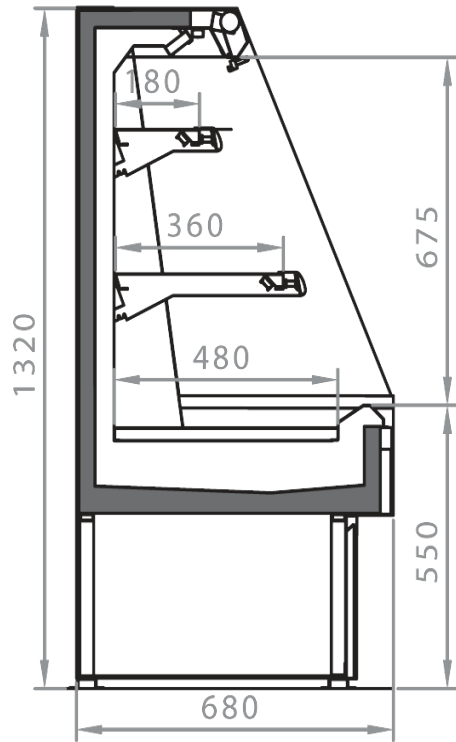
Accessories

Manual night blind
Movable and fix divider
Shelf lighting LED

Available dimensions

External depth (mm)	680
Front Height (mm)	550
Height (mm)	1320-1520
Length with side walls (mm)	705 -1017- 1330-1955
Length without side walls (mm)	625-937-1250-1875
Shelves' depth (mm)	180-250-360
Shelves' rows (N°)	2/3
Thickness side walls (mm)	80

CROSS SECTIONS



SARA 1300 Q

SARA Q H150 3M2

SARAQ - Multidecks

Power supply

Plug in

Climatic classes

3 M2



Exhibition categories



Chilled drinks



Dairy, milk, cheese



Delicatessen



Food to go



Impulse



Ready meals and salads



Sausages & salami



Snacks / Sandwiches

Standard features

2 shelves with priceholders
Available with gas R290
Electronic control
Glazed endwalls included
LED lighting

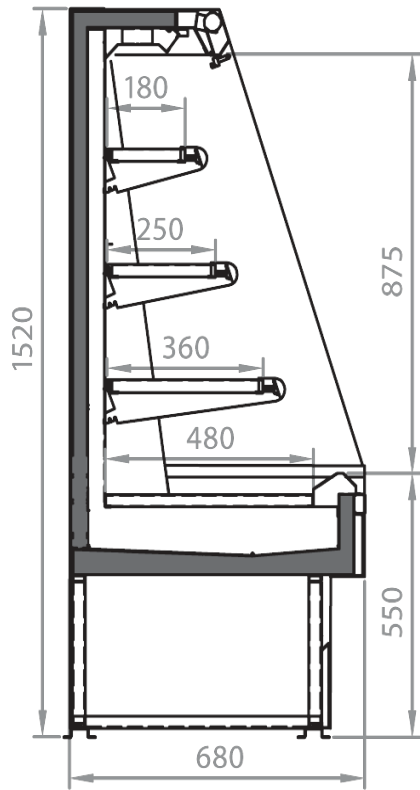
Accessories

Manual night blind
Movable and fix divider
Shelf lighting LED

Available dimensions

External depth (mm)	680
Front Height (mm)	550
Height (mm)	1320-1520
Length with side walls (mm)	705 -1017- 1330-1955
Length without side walls (mm)	625-937-1250-1875
Shelves' depth (mm)	180-250-360
Shelves' rows (N°)	2/3
Thickness side walls (mm)	80

CROSS SECTIONS



SARA 1500 Q

SARA Q H150 3M2

SARAQ - Multidecks

Power supply

Plug in

Climatic classes

3 M2



Available colours

1021

6032

3020

7037

9010

5007

7047

9011

7024

2004

9006

Exhibition categories



Chilled drinks



Dairy, milk, cheese



Delicatessen



Food to go



Impulse



Ready meals and salads



Sausages & salami



Snacks / Sandwiches

Standard features

2 shelves with priceholders
Available with gas R290
Electronic control
Glazed endwalls included
LED lighting

Accessories

Manual night blind
Movable and fix divider
Shelf lighting LED

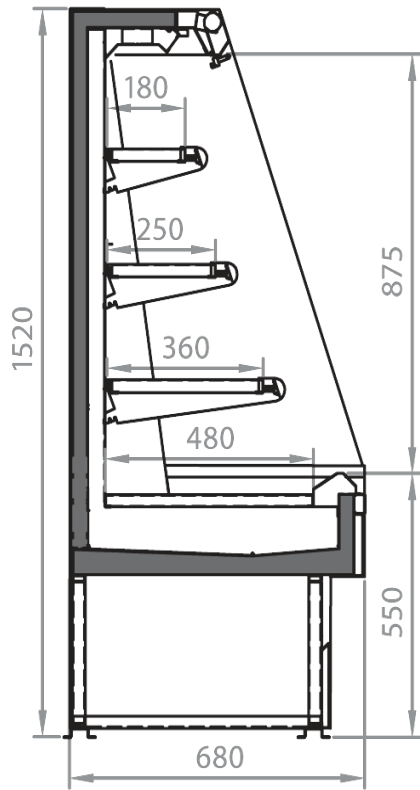
Available dimensions

External depth (mm) 680
Front Height (mm) 550
Height (mm) 1320-1520
Length with side walls (mm) 705 -1017- 1330-1955
Length without side walls (mm) 625-937-1250-1875
Shelves' depth (mm) 180-250-360
Shelves' rows (N°) 2/3
Thickness side walls (mm) 80

A SELECTION FROM OUR INSTALLATION



CROSS SECTIONS



SARA 1500 Q



Pastorfrigor S.p.A.

Reg. Gabannone, 4 Z.I. · 15033 Terruggia (AL) · Italy
Tel. +39 0142 433 711 · Fax +39 0142 433 701 · info@pastorfrigor.it
P.IVA IT00578270068 | REA AL-00578270068
www.pastorfrigor.it