

# TAP A NEW ENERGY CLASS



# CONV

## Islands

Convenient island merchandiser for chilled snacks. Cash in on your drinks sales. The CONV was designed for the busy convenience store with ultimate display for chilled food on the go.



# CONV

## CONV - Islands

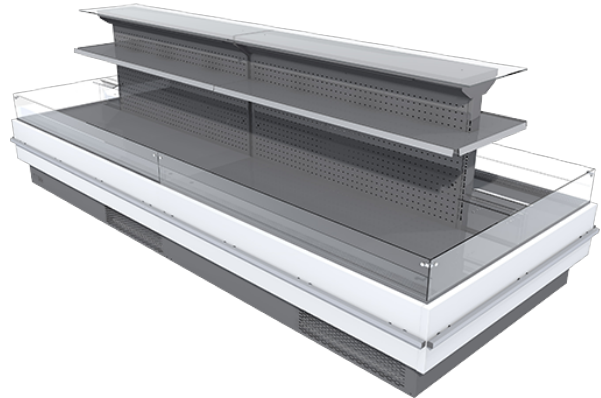
### Power supply

Plug in

Remote

### Climatic classes

3 M2



### Exhibition categories



Chilled drinks



Dairy, milk, cheese



Delicatessen



Food to go



Fruit and vegetables



Impulse



Ready meals and salads



Sausages & salami



Snacks / Sandwiches

### Standard features

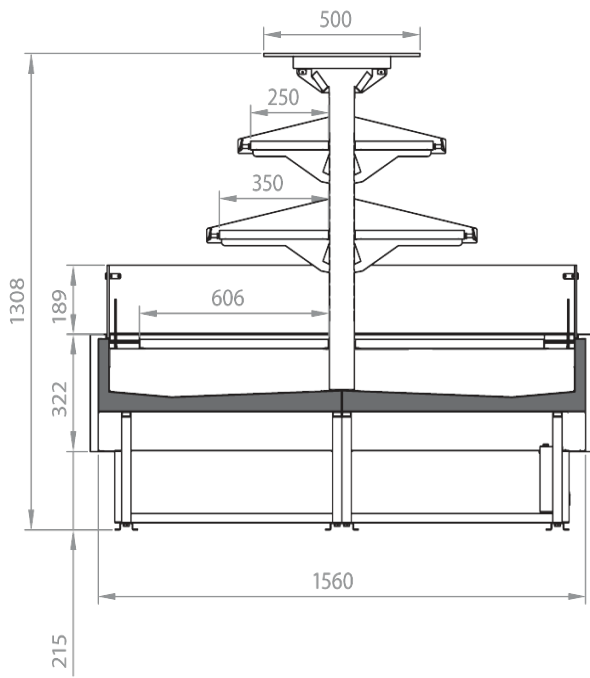
- 2 shelves
- Digital Thermometer
- Electronic control
- Expansion valve
- Fan assisted cooling
- One endwall included in the price
- Refrigerated shelves
- Remote cabinet, with multiplexable linear modules
- Stainless steel bumper

### Accessories

- Internal and external RAL colours
- Movable and fix divider
- The islands with different temperatures can be joined using a middle plexi divider

# CROSS SECTIONS

---



CONV

# CONV PLUG IN

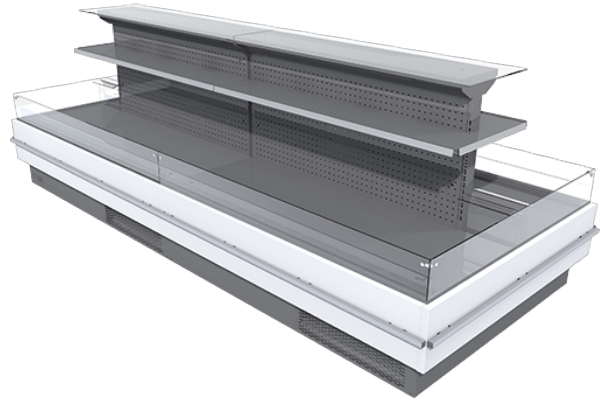
## CONV - Islands

### Power supply

Plug in

### Climatic classes

3 M2



### Exhibition categories



Chilled drinks



Dairy, milk, cheese



Delicatessen



Food to go



Fruit and vegetables



Impulse



Ready meals and salads



Sausages & salami



Snacks / Sandwiches

### Standard features

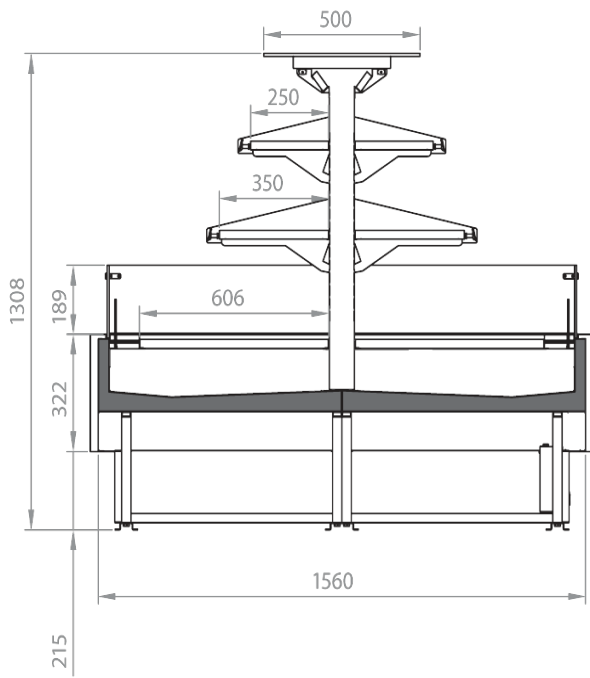
- 2 shelves
- Digital Thermometer
- Electronic control
- Fan assisted cooling
- One endwall included in the price
- Plug-in cabinet, multiplexable linear modules
- Refrigerated shelves
- Stainless steel bumper
- With built in unit for gas R452a

### Accessories

- Internal and external RAL colours
- Movable and fix divider
- Wooden Crate

# CROSS SECTIONS

---



CONV

# CONV REMOTE

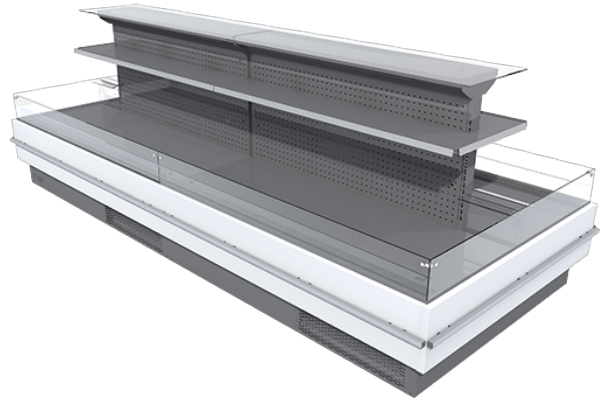
## CONV - Islands

### Power supply

Remote

### Climatic classes

3 M2



### Exhibition categories



Chilled drinks



Dairy, milk, cheese



Delicatessen



Food to go



Fruit and vegetables



Impulse



Ready meals and salads



Sausages & salami



Snacks / Sandwiches

### Standard features

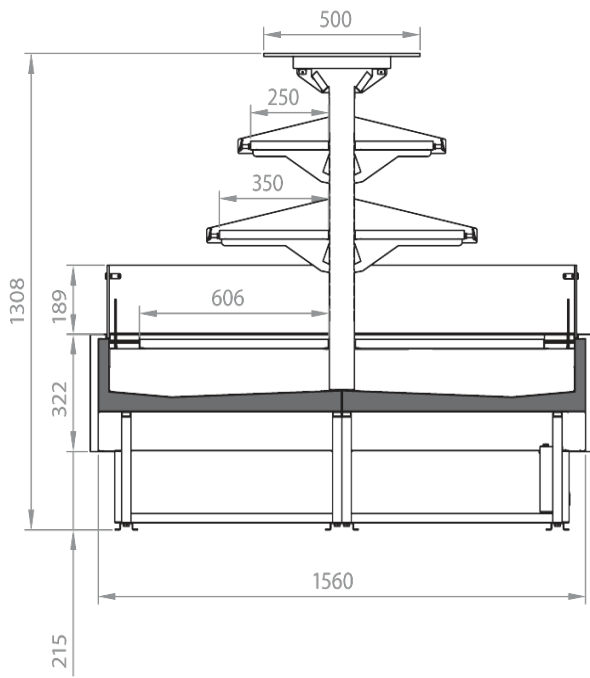
- 2 shelves
- Digital Thermometer
- Electronic control
- Expansion valve
- Fan assisted cooling
- One endwall included in the price
- Refrigerated shelves
- Remote cabinet, with multiplexable linear modules
- Stainless steel bumper

### Accessories

- Internal and external RAL colours
- Movable and fix divider
- The islands with different temperatures can be joined using a middle plexi divider

# CROSS SECTIONS

---



CONV



# CONV REMOTE

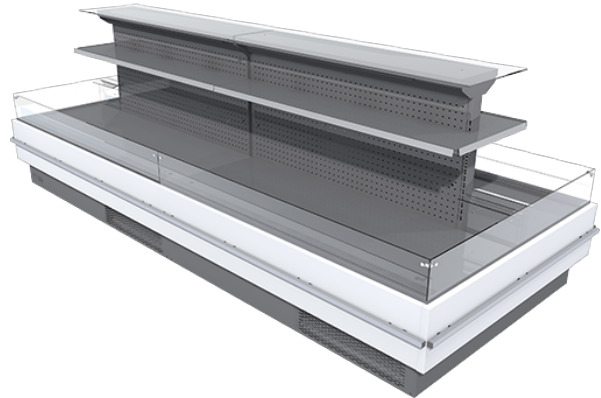
## CONV - Islands

### Power supply

Remote

### Climatic classes

3 M2



### Available colours

1021

6032

3020

7037

9010

5007

7047

9011

7024

2004

9006

### Exhibition categories



Chilled drinks



Dairy, milk, cheese



Delicatessen



Food to go



Fruit and vegetables



Impulse



Ready meals and salads



Sausages & salami



Snacks / Sandwiches

### Standard features

- 2 shelves
- Digital Thermometer
- Electronic control
- Expansion valve
- Fan assisted cooling
- One endwall included in the price
- Refrigerated shelves
- Remote cabinet, with multiplexable linear modules
- Stainless steel bumper

### Accessories

- Internal and external RAL colours
- Movable and fix divider
- The islands with different temperatures can be joined using a middle plexi divider

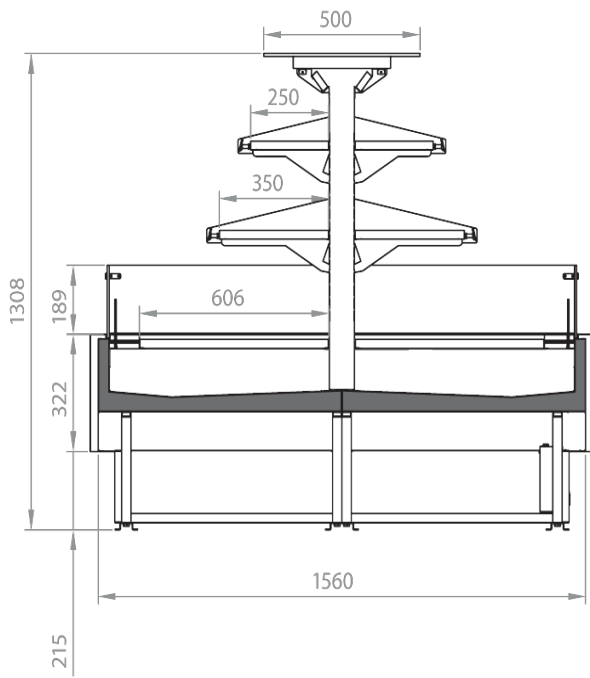
# A SELECTION FROM OUR INSTALLATION

---



# CROSS SECTIONS

---



CONV



**Pastorfrigor S.p.A.**

Reg. Gabannone, 4 Z.I. · 15033 Terruggia (AL) · Italy  
Tel. +39 0142 433 711 · Fax +39 0142 433 701 · [info@pastorfrigor.it](mailto:info@pastorfrigor.it)  
P.IVA IT00578270068 | REA AL-00578270068  
[www.pastorfrigor.it](http://www.pastorfrigor.it)