

TAP A NEW ENERGY CLASS



BALLYDECK

Counters

Collaborative designed counter. Modern stainless steel counter packed with merchandising options for the display of fresh produce. An example of Pastorfrigos collaborative approach with retailers to create new cabinet solutions.



BALLYDECK CARNE

BALLYDECK - Counters

Power supply

Remote

Climatic classes

3 M1



Available colours

1015

1021

2011

3002

3020

5005

5012

6018

7035

7037

9006

9010

9011

Exhibition categories



Packed meat

Standard features

- Electric defrost
- Expansion valve
- Fan assisted cooling
- Grey ABS bumper
- Remote cabinet on legs
- Remote cabinet, multiplexable linear and corner modules
- Stainless Steel display decks
- Stainless steel legs
- Terminal board

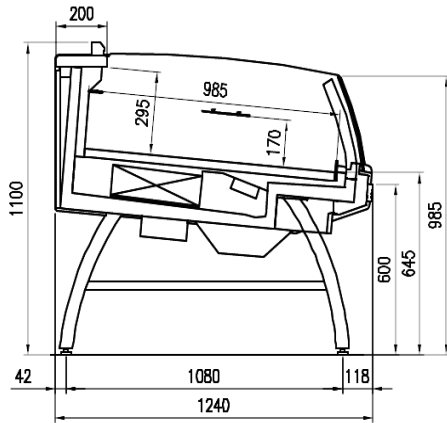
Accessories

- CO2 refrigeration system
- Control board Master and Slave
- Dividers
- Electronic valve
- Glazed endwalls
- Paper Holder
- St. steel internal body
- Wooden Crate

Available dimensions

External depth (mm)	1240
Base deck depth (mm)	900
Height (mm)	1120
Length without side walls (mm)	1875 - 2500 - 3152

CROSS SECTIONS



SS



Pastorfrigor S.p.A.

Reg. Gabannone, 4 Z.I. · 15033 Terruggia (AL) · Italy
Tel. +39 0142 433 711 · Fax +39 0142 433 701 · info@pastorfrigor.it
P.IVA IT00578270068 | REA AL-00578270068
www.pastorfrigor.it