

TAP A NEW ENERGY CLASS



Islands

Dependable wall sited frozen food display. High capacity low temperature with in-built flexibility so you can merchandise along the wall or in an island line up that makes this the most versatile choice for your frozen food offer.



CAPRI TN

CAPRI - Islands

Power supply

Remote

Climatic classes

3 M1



Available colours

1015

1021

2011

3002

3020

5005

5012

6018

7035

7037

9006

9010

9011

Exhibition categories



Dairy, milk, cheese



Packed meat



Sausages & salami

Standard features

- Draining kit
- Electric defrost
- Expansion valve
- Fan assisted cooling
- Grey ABS bumper
- Remote cabinet, multiplexable linear and corner modules
- Terminal board
- White display plates

Accessories

- CO2 refrigeration system
- Control board Master and Slave
- Electronic valve
- Grid dividers
- LED lighting
- Manual night blind
- Night covers
- Sliding lids
- Stainless steel bumper
- Ultrapanoramic glasses
- Wooden Crate

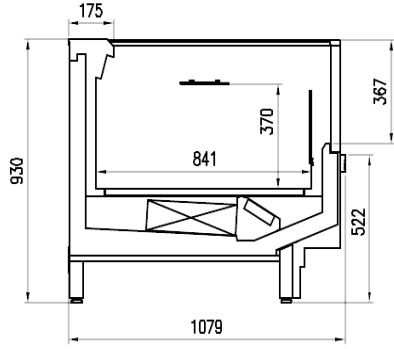
Available dimensions

External depth (mm)	1079
Height (mm)	930
Length without side walls (mm)	1875 - 2500 - 3750

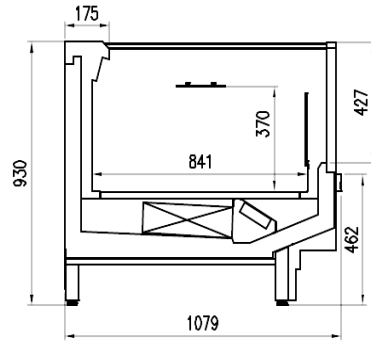
A SELECTION FROM OUR INSTALLATION



CROSS SECTIONS



NG



HG



Pastorfrigor S.p.A.

Reg. Gabannone, 4 Z.I. · 15033 Terruggia (AL) · Italy
Tel. +39 0142 433 711 · Fax +39 0142 433 701 · info@pastorfrigor.it
P.IVA IT00578270068 | REA AL-00578270068
www.pastorfrigor.it