

TAP A NEW ENERGY CLASS



CLICK

Counters

A market leader in mobile counter technology. The most innovative serveover counter you will find on the market. The Click is a foldable counter for trading on the move. Inventive-mobile-easy it really is the counter you can take anywhere.



CLICK SERVE OVER

CLICK - Counters

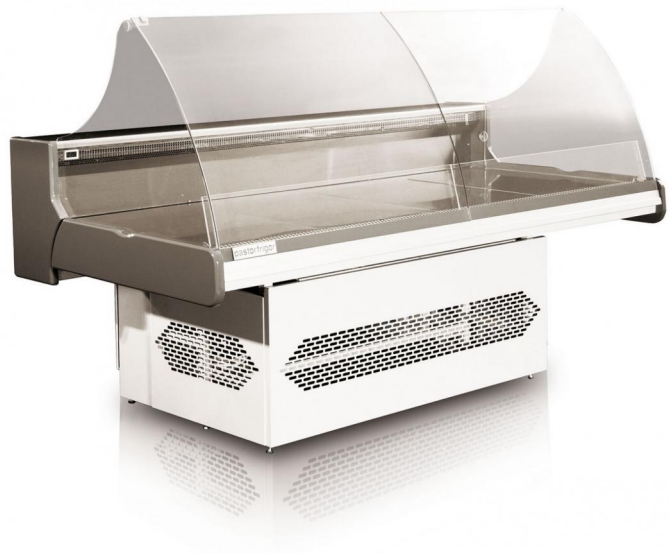
Power supply

Plug in

Climatic classes

3 M1

3 M2



Available colours

1015

1021

2011

3002

3020

5005

5012

6018

7035

7037

9006

9010

9011

Exhibition categories



Dairy, milk, cheese



Delicatessen



Food to go



Impulse



Ready meals and
salads



Sausages & salami

Standard features

2 Tanks for condensate water
Available with gas R452 A
Castors
Electronic control
Fan assisted cooling
Glazed endwalls
White display plates

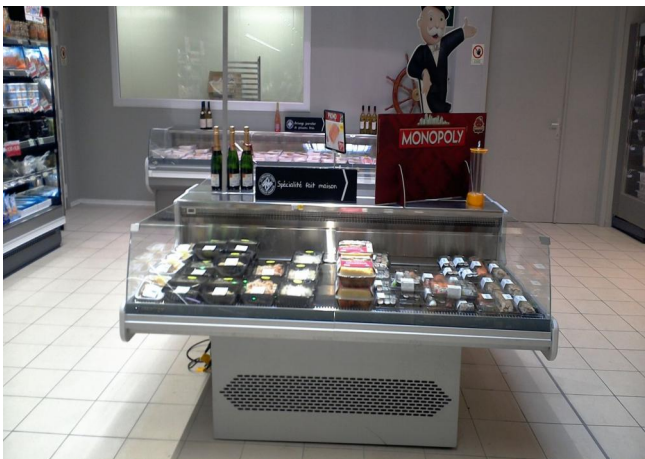
Accessories

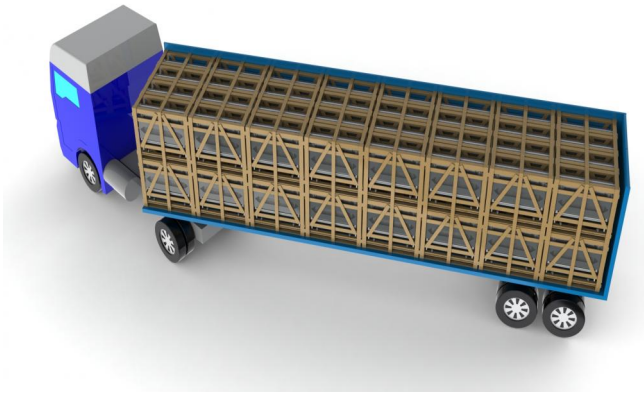
Cutting Board
Slicing machine/Balance Holder
Top lighting LED
Wooden Crate

Available dimensions

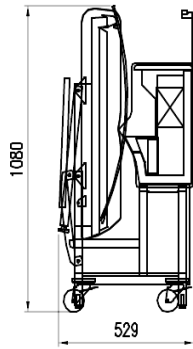
External depth (mm)	1040
Base deck depth (mm)	784
Height (mm)	1220
Length with side walls (mm)	1250;1875

A SELECTION FROM OUR INSTALLATION

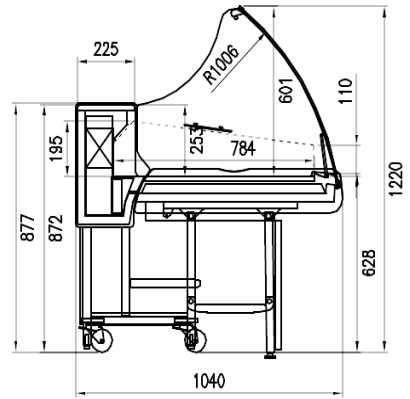




CROSS SECTIONS



GA-SS



GA



Pastorfrigor S.p.A.

Reg. Gabannone, 4 Z.I. · 15033 Terruggia (AL) · Italy
Tel. +39 0142 433 711 · Fax +39 0142 433 701 · info@pastorfrigor.it
P.IVA IT00578270068 | REA AL-00578270068
www.pastorfrigor.it