

TAP A NEW ENERGY CLASS



PANAREA HD

Islands

New island display unit with built-in positive temperature. The thermodynamic performances, the visibility of the product increased and guaranteed by ultra-panoramic glass make the Panarea HD an indispensable product for every store. The design is as light as the electricity consumption. Equipped with sliding closures that allow to keep consumption low and performance at a high level. Condensing unit with latest generation compressor and reduced gas charge



PANAREA HD LIDS

PANAREA HD - Islands

Power supply

Plug in

Climatic classes

3 M1

Available colours

1015

1021

2011

3002

3020

5005

5012

6018

7035

7037

9006

9010

9011



Exhibition categories



Chilled drinks



Dairy, milk, cheese



Delicatessen



Food to go



Impulse



Packed meat



Ready meals and
salads



Sausages & salami



Snacks / Sandwiches

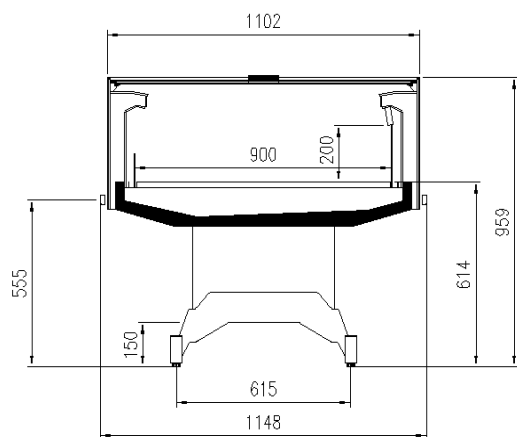
Standard features

- Components compliant with R290 use
- Electronic control
- Painted display decks
- Plug-in cabinet, multiplexable linear modules
- R290 gas
- Sliding lids
- Stainless steel bumper
- Straight Glass

Accessories

- Tiltable display area
- Castors
- CO2 refrigeration system
- Dividers
- Internal and external RAL colours
- St. steel display plates
- Wooden Crate

CROSS SECTIONS



PANAREA HD



Pastorfrigor S.p.A.

Reg. Gabannone, 4 Z.I. · 15033 Terruggia (AL) · Italy
Tel. +39 0142 433 711 · Fax +39 0142 433 701 · info@pastorfrigor.it
P.IVA IT00578270068 | REA AL-00578270068
www.pastorfrigor.it