

# TAP A NEW ENERGY CLASS



# PANAREA NG

## Islands

Impulse island to maximise sales. Spot merchandising at its best with mobile display for fresh meat promotions. Energy efficient with proven reliability makes this a very sound impulse chiller.



# PANAREA NG

## PANAREA NG - Islands

### Power supply

Plug in

Remote

### Climatic classes

3 M1



### Available colours

1015

1021

2011

3002

3020

5005

5012

6018

7035

7037

9006

9010

9011

### Exhibition categories



Dairy, milk, cheese



Delicatessen



Food to go



Impulse



Packed meat



Ready meals and salads



Snacks / Sandwiches

### Standard features

Castors  
Fan assisted cooling  
Glazed endwalls  
Hot gas evaporating system  
R290 gas  
Stainless steel bumper  
White display plates

### Accessories

Dividers  
Night covers  
Wooden Crate

### Available dimensions

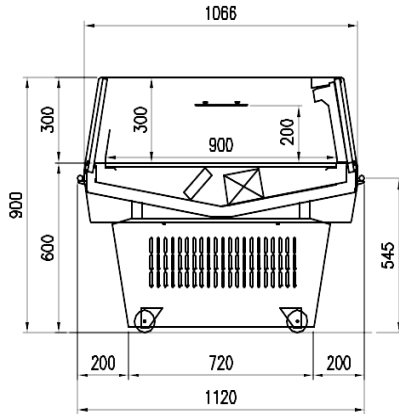
External depth (mm) 1120  
Height (mm) 900  
Length with side walls (mm) 1058 - 1370  
Length without side walls (mm) 937 - 1250  
Thickness side walls (mm) 120

# A SELECTION FROM OUR INSTALLATION



# CROSS SECTIONS

---



NG



**Pastorfrigor S.p.A.**

Reg. Gabannone, 4 Z.I. · 15033 Terruggia (AL) · Italy  
Tel. +39 0142 433 711 · Fax +39 0142 433 701 · [info@pastorfrigor.it](mailto:info@pastorfrigor.it)  
P.IVA IT00578270068 | REA AL-00578270068  
[www.pastorfrigor.it](http://www.pastorfrigor.it)