

TAP A NEW ENERGY CLASS



ADMIRAL

Counters

Panoramicity keeps on being the leitmotif for PASTORFRIGOR: this new ADMIRAL line of serve over counters proves it. The possibility of a large display volume and the internal stainless steel finishes make the ADMIRAL the meat counter par excellence. Like the other showcases with straight glass superstructure, PASTORFRIGOR presents a new style for the canopy of the internal lighting with very small dimensions that allows the full presentation of the product on display and at the same time gives the chance to light and color to the showcase. The new ADMIRAL is available with ventilated refrigeration, double static and also for use with CO2 refrigerant.



ADMIRAL VC

ADMIRAL - Counters

Power supply

Remote

Climatic classes

3 M1

3 M2



Available colours

1015

1021

2011

3002

3020

5005

5012

6018

7035

7037

9006

9010

9011

Exhibition categories



Dairy, milk, cheese



Delicatessen



Fresh meat



Packed meat



Sausages & salami

Standard features

- Curved Glass
- EC Fans
- Expansion valve
- Fan assisted cooling
- Front anti-mist ventilation
- LED lighting
- Lifting up glass structure with pistons
- Paintable or personalized front panels with optional RAL colors
- Remote cabinet, multiplexable linear and corner modules
- St. steel internal body
- Stainless Steel display decks
- Terminal board

Accessories

- 2 or 3 levels steps decks
- CO2 refrigeration system
- Control board Master and Slave
- Cup Holder
- Cutting Board
- Double static refrigeration
- Electric defrost
- Electronic control
- Front LED lighting
- Internal and external RAL colours
- Knives holder
- Movable and fix divider
- Paper Holder
- Plexiglass back closure
- Slicing machine/Balance Holder
- Stainless steel bumper
- Wooden Crate

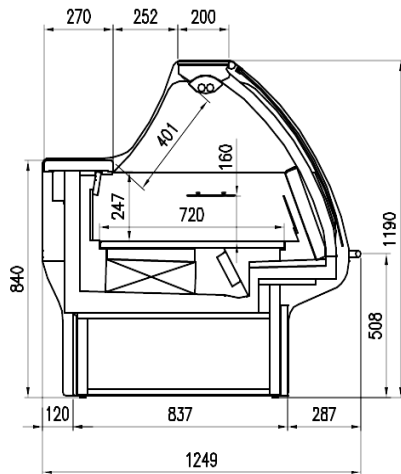
Available dimensions

External depth (mm)	1212
Base deck depth (mm)	900
Corner Section	45Ext/Int -90Ext/Int
Length without side walls (mm)	937-1250-1875-2500-3125-3750

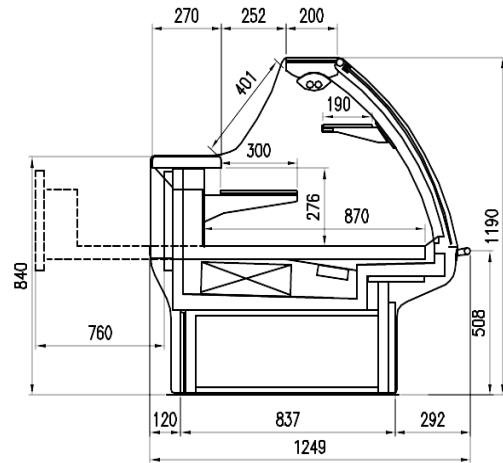
A SELECTION FROM OUR INSTALLATION



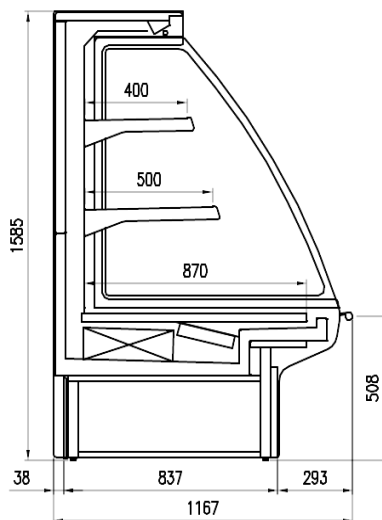
CROSS SECTIONS



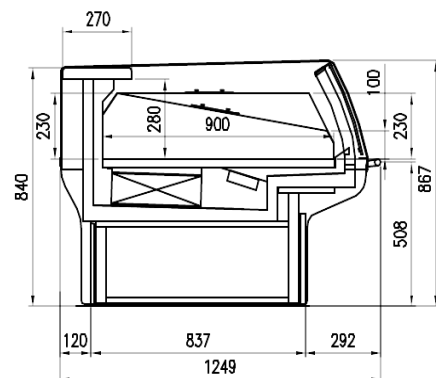
BT



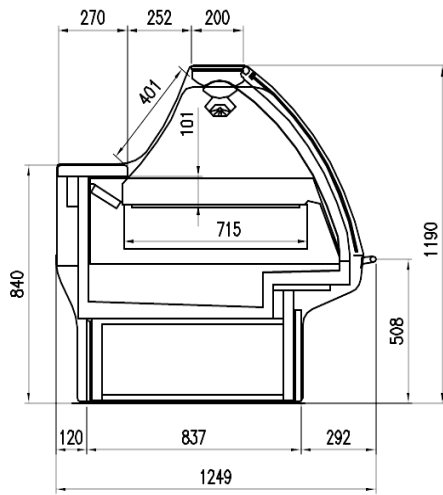
PS



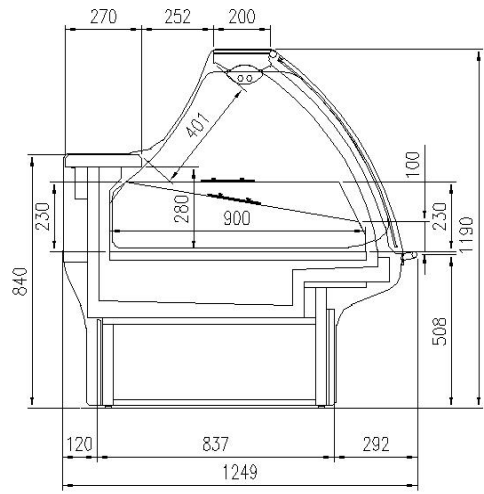
BMM



GA - SS



TC



Meat/Gastronomy



Pastorfrigor S.p.A.

Reg. Gabannone, 4 Z.I. · 15033 Terruggia (AL) · Italy
Tel. +39 0142 433 711 · Fax +39 0142 433 701 · info@pastorfrigor.it
P.IVA IT00578270068 | REA AL-00578270068
www.pastorfrigor.it