

# TAP A NEW ENERGY CLASS



## Islands

Impulse island for positive temperature food. Impulse plug-in to lift your sales anywhere in store. Versatility and mobility equals profitability for your promotional sales.



# VERA

## VERA - Islands

### Power supply

Plug in

### Climatic classes

3 M1



### Available colours

1021

6032

3020

7037

9010

5007

7047

9011

7024

2004

9006

### Exhibition categories



Dairy, milk, cheese



Delicatessen



Food to go



Impulse



Packed meat



Sausages & salami

### Standard features

Electric defrost  
Electronic control  
White internal body  
With built in unit for gas R452a

### Accessories

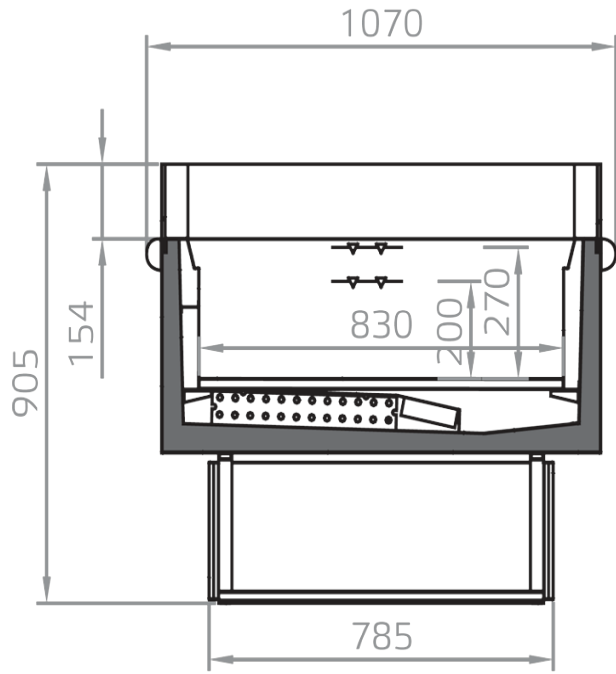
Base Grids  
Dividers  
Night covers

# A SELECTION FROM OUR INSTALLATION



# CROSS SECTIONS

---



VERA



**Pastorfrigor S.p.A.**

Reg. Gabannone, 4 Z.I. · 15033 Terruggia (AL) · Italy  
Tel. +39 0142 433 711 · Fax +39 0142 433 701 · [info@pastorfrigor.it](mailto:info@pastorfrigor.it)  
P.IVA IT00578270068 | REA AL-00578270068  
[www.pastorfrigor.it](http://www.pastorfrigor.it)