

TAP A NEW ENERGY CLASS



BALLYDECK

Counters

Collaborative designed counter. Modern stainless steel counter packed with merchandising options for the display of fresh produce. An example of Pastorfrigos collaborative approach with retailers to create new cabinet solutions.



BALLYDECK

BALLYDECK - Counters

Power supply

Remote

Climatic classes

3 M1

3 M2



Available colours

1015

1021

2011

3002

3020

5005

5012

6018

7035

7037

9006

9010

9011

Exhibition categories



Dairy, milk, cheese



Delicatessen



Food to go



Packed meat



Sausages & salami

Standard features

Expansion valve
Fan assisted cooling
Grey ABS bumper
Remote cabinet on legs
Remote cabinet, multiplexable linear and corner modules
Stainless Steel display decks
Stainless steel legs
Terminal board

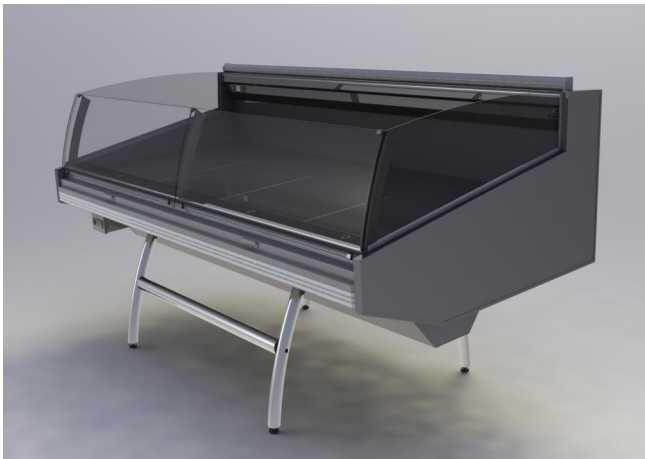
Accessories

CO2 refrigeration system
Control board Master and Slave
Dividers
Electric defrost
Electronic valve
Glazed endwalls
Paper Holder
St. steel internal body
Wooden Crate

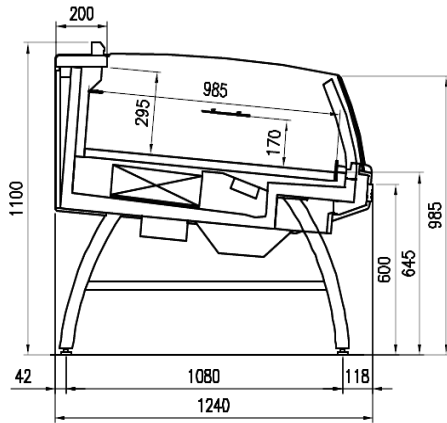
Available dimensions

External depth (mm) 1240
Base deck depth (mm) 900
Height (mm) 1120
Length without side walls 1875 - 2500 - 3152 (mm)

A SELECTION FROM OUR INSTALLATION



CROSS SECTIONS



SS



Pastorfrigor S.p.A.

Reg. Gabannone, 4 Z.I. · 15033 Terruggia (AL) · Italy
Tel. +39 0142 433 711 · Fax +39 0142 433 701 · info@pastorfrigor.it
P.IVA IT00578270068 | REA AL-00578270068
www.pastorfrigor.it