

TAP A NEW ENERGY CLASS



SARDEGNA OVERVIEW OPEN

Islands

Trusted wide island for sales of frozen food and medium temperature products. Great vision and capacity for high volume frozen food sales the Sardegna has a wide footprint and deep glazing for the perfect display. The undisputable choice to increase frozen food sales and for wide meat and deli product display.



SARDEGNA 1E OVERVIEW OPEN

SARDEGNA OVERVIEW OPEN - Islands

Power supply

Remote

Climatic classes

3 L1

3 M1



Available colours

1015

1021

2011

3002

3020

5005

5012

6018

7035

7037

9006

9010

9011

Exhibition categories



Dairy, milk, cheese



Frozen food



Packed meat



Sausages & salami

Standard features

- Electric defrost
- Expansion valve
- Fan assisted cooling
- Grey ABS bumper
- Remote cabinet, multiplexable linear and corner modules
- Terminal board
- Ultrapanoramic glasses
- White internal body

Accessories

- Base Grids
- CO2 refrigeration system
- Control board Master and Slave
- Dividers
- Electronic valve
- Manual night blind
- Night covers
- Sliding lids
- Stainless steel bumper
- Superstructure with 2 shelves
- Wooden Crate

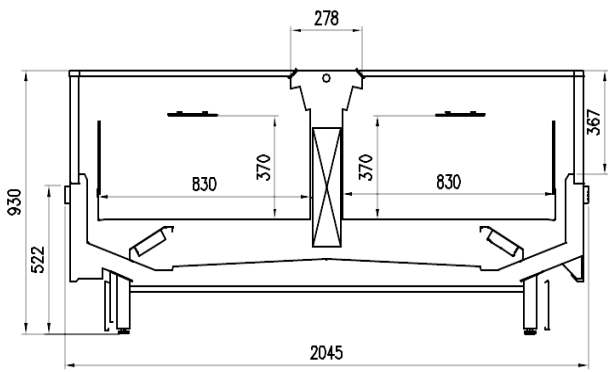
Available dimensions

External depth (mm)	2005
Height (mm)	930
Length without side walls (mm)	1875;2500;3750;headcas
	e

A SELECTION FROM OUR INSTALLATION



CROSS SECTIONS



NG 1 E



Pastorfrigor S.p.A.

Reg. Gabannone, 4 Z.I. · 15033 Terruggia (AL) · Italy
Tel. +39 0142 433 711 · Fax +39 0142 433 701 · info@pastorfrigor.it
P.IVA IT00578270068 | REA AL-00578270068
www.pastorfrigor.it