

# TAP A NEW ENERGY CLASS



# SARDEGNA OVERVIEW DOORS

## Islands

Trusted wide island for sales of frozen food . Great vision and capacity for high volume frozen food sales the Sardegna has a wide footprint and deep glazing for the perfect display. The undisputable choice to increase frozen food sales.



# SARDEGNA 1E OVERVIEW HG

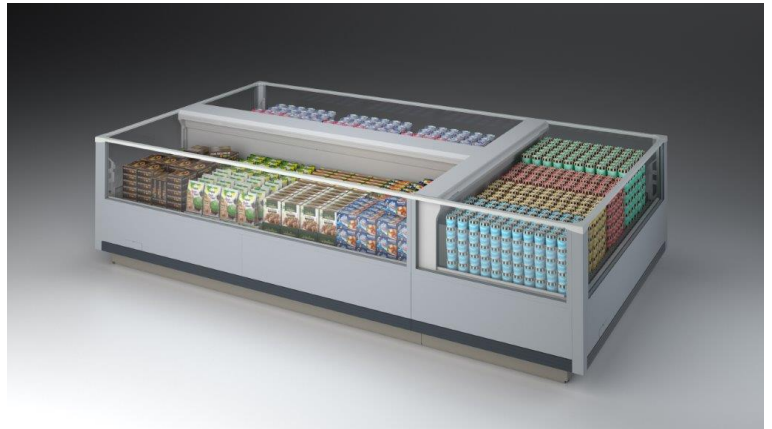
## SARDEGNA OVERVIEW DOORS - Islands

### Power supply

Remote

### Climatic classes

3 L1



### Available colours

1015

1021

2011

3002

3020

5005

5012

6018

7035

7037

9006

9010

9011

### Exhibition categories



Frozen food

### Standard features

- EC Fans
- Electric defrost
- Expansion valve
- Fan assisted cooling
- Grey ABS bumper
- Remote cabinet, multiplexable linear and corner modules
- Sliding lids
- Terminal board
- Ultrapanoramic glasses
- White internal body

### Accessories

- Base Grids
- CO2 refrigeration system
- Dividers
- Electronic control
- Electronic valve
- LED lighting
- Stainless steel bumper
- Wooden Crate

### Available dimensions

External depth (mm)	2045
Height (mm)	889
Length without side walls (mm)	1875;2500;3750 Hedcase
Thickness side walls (mm)	84+84

# A SELECTION FROM OUR INSTALLATION

---

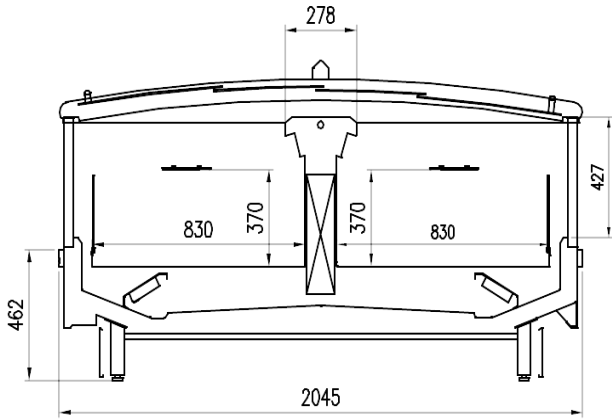






# CROSS SECTIONS

---



HG 1 E



**Pastorfrigor S.p.A.**

Reg. Gabannone, 4 Z.I. · 15033 Terruggia (AL) · Italy  
Tel. +39 0142 433 711 · Fax +39 0142 433 701 · [info@pastorfrigor.it](mailto:info@pastorfrigor.it)  
P.IVA IT00578270068 | REA AL-00578270068  
[www.pastorfrigor.it](http://www.pastorfrigor.it)