

TAP A NEW ENERGY CLASS



SARDEGNA OVERVIEW DOORS

Islands

Trusted wide island for sales of frozen food . Great vision and capacity for high volume frozen food sales the Sardegna has a wide footprint and deep glazing for the perfect display. The undisputable choice to increase frozen food sales.



SARDEGNA 1E OVERVIEW HG

SARDEGNA OVERVIEW DOORS - Islands

Power supply

Remote

Climatic classes

3 L1



Available colours

1015

1021

2011

3002

3020

5005

5012

6018

7035

7037

9006

9010

9011

Exhibition categories



Frozen food

Standard features

- EC Fans
- Electric defrost
- Expansion valve
- Fan assisted cooling
- Grey ABS bumper
- Remote cabinet, multiplexable linear and corner modules
- Sliding lids
- Terminal board
- Ultrapanoramic glasses
- White internal body

Accessories

- Base Grids
- CO2 refrigeration system
- Dividers
- Electronic control
- Electronic valve
- LED lighting
- Stainless steel bumper
- Wooden Crate

Available dimensions

External depth (mm)	2045
Height (mm)	889
Length without side walls (mm)	1875;2500;3750 Hedcase
Thickness side walls (mm)	84+84

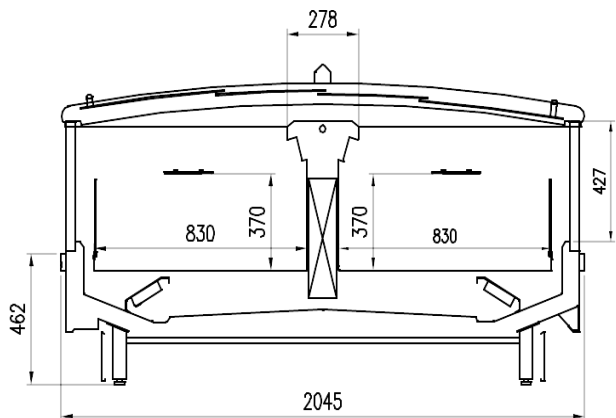
A SELECTION FROM OUR INSTALLATION







CROSS SECTIONS



HG 1 E



Pastorfrigor S.p.A.

Reg. Gabannone, 4 Z.I. · 15033 Terruggia (AL) · Italy
Tel. +39 0142 433 711 · Fax +39 0142 433 701 · info@pastorfrigor.it
P.IVA IT00578270068 | REA AL-00578270068
www.pastorfrigor.it