

# TAP A NEW ENERGY CLASS



## Counters

The NINA refrigerated serveover counter has a classic traditional shape, with curved front glass and top shelf. It has been designed for many different types of use for specialist small shops to supermarkets. This counter is fully multiplexable with options of refrigeration, pastry, heated and ambient for bread and biscuits. There is also a matching low height multideck option with internal refrigerated shelves.



# NINA V PLUG IN 3M1

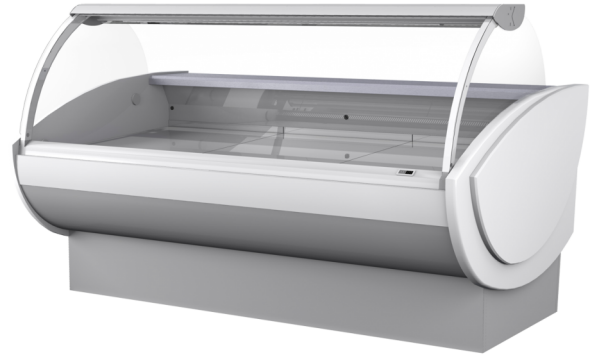
## NINA - Counters

### Power supply

Plug in

### Climatic classes

3 M1



### Available colours

1021

6032

3020

7037

9010

5007

7047

9011

7024

2004

9006

### Exhibition categories



Fresh meat



Packed meat

### Standard features

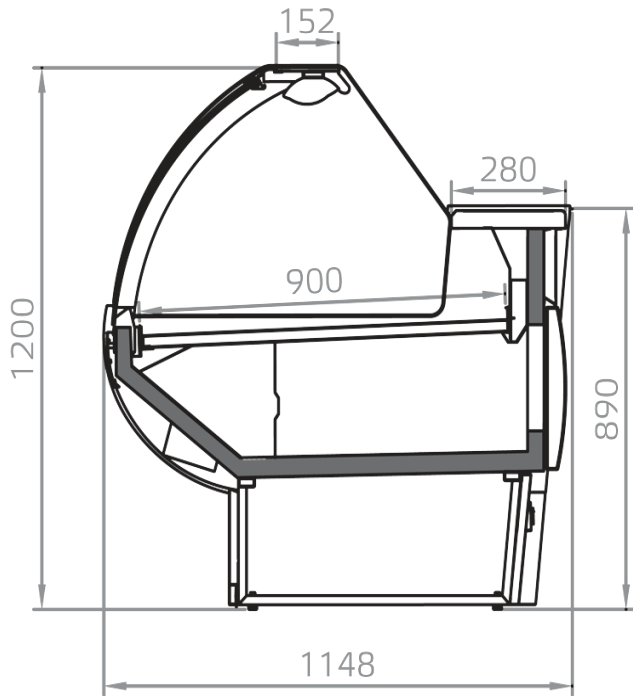
Available with gas R452 A  
Electronic control  
Paintable or personalized front panels with optional RAL colors  
Plug-in cabinet, multiplexable linear modules  
T5 top Lighting  
White internal body

### Accessories

2 or 3 levels steps decks  
Cup Holder  
Dividers  
Knives holder  
LED lighting  
Multiplexable corners  
Paper Holder  
Plexiglass back closure  
St. steel internal body

# CROSS SECTIONS

---



NINA V



**Pastorfrigor S.p.A.**

Reg. Gabannone, 4 Z.I. · 15033 Terruggia (AL) · Italy  
Tel. +39 0142 433 711 · Fax +39 0142 433 701 · [info@pastorfrigor.it](mailto:info@pastorfrigor.it)  
P.IVA IT00578270068 | REA AL-00578270068  
[www.pastorfrigor.it](http://www.pastorfrigor.it)