

# TAP A NEW ENERGY CLASS



# KALIFORNIA Q

## Multidecks

Convenient remote multideck range. A convenience store multideck with all the options with multiple height and depths also clever "Height Reduction" kits as standard on the taller models. The Kalifornia is the ultimate cabinet for the convenience store.



# KALIFORNIA Q 400

## Kalifornia Q - Multidecks

### Power supply

Remote

### Climatic classes

3 M2



### Available colours

1021

6032

3020

7037

9010

5007

7047

9011

7024

2004

9006

### Exhibition categories



Beers & wines



Chilled drinks



Dairy, milk, cheese



Delicatessen



Ready meals and  
salads



Sausages & salami



Snacks / Sandwiches

### Standard features

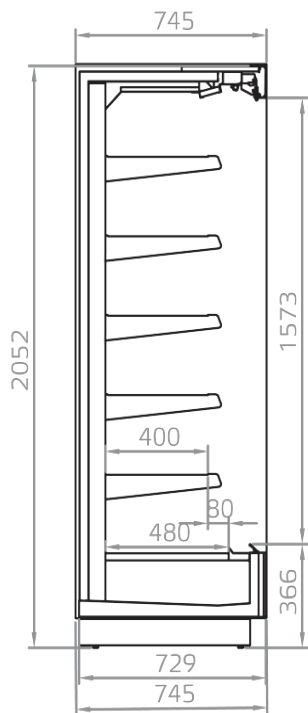
5 shelves with price-holder + base  
Digital Thermometer  
Electronic control  
Expansion valve  
Fan assisted cooling  
T5 top Lighting

### Accessories

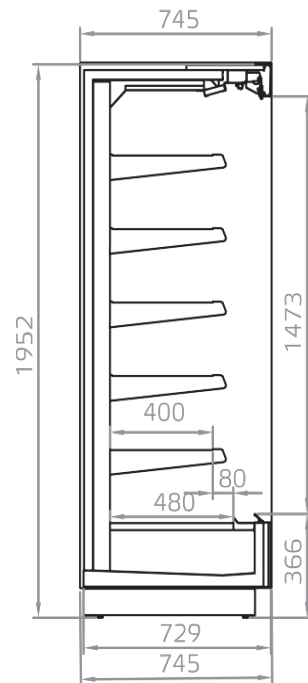
CO2 refrigeration system  
Electronic valve  
Internal and external RAL colours  
LED lighting  
Manual or electronic night blind  
Movable and fix divider  
Shelf lighting LED/T5

# CROSS SECTIONS

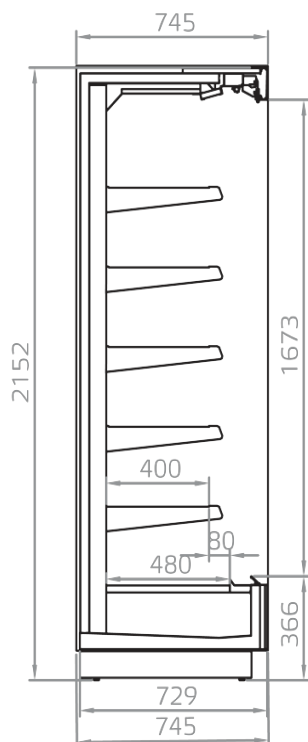
---



KALIFORNIA Q 400/2050 M1,M2



KALIFORNIA Q 400/1950 M1,M2



KALIFORNIA Q 400/2150 M1,M2



**Pastorfrigor S.p.A.**

Reg. Gabannone, 4 Z.I. · 15033 Terruggia (AL) · Italy  
Tel. +39 0142 433 711 · Fax +39 0142 433 701 · [info@pastorfrigor.it](mailto:info@pastorfrigor.it)  
P.IVA IT00578270068 | REA AL-00578270068  
[www.pastorfrigor.it](http://www.pastorfrigor.it)