

TAP A NEW ENERGY CLASS



KALIFORNIA D WITH DOORS

Multidecks

Versatile merchandising display with efficiency in mind for the display of chilled products the Ecovision conveys design flexibility and sales solutions. Advanced multideck display with bags of options and low energy bills.



KALIFORNIA D

Kalifornia D with Doors - Multidecks

Power supply

Remote

Climatic classes

3 M1



Available colours

1021

6032

3020

7037

9010

5007

7047

9011

7024

2004

9006

Exhibition categories



Chilled drinks



Dairy, milk, cheese



Delicatessen



Packed meat



Ready meals and
salads



Sausages & salami



Snacks / Sandwiches

Standard features

- 5 shelves with price-holder + base
- Digital Thermometer
- Double glass hinged doors
- Electronic control
- Expansion valve
- Fan assisted cooling
- T5 top Lighting

Accessories

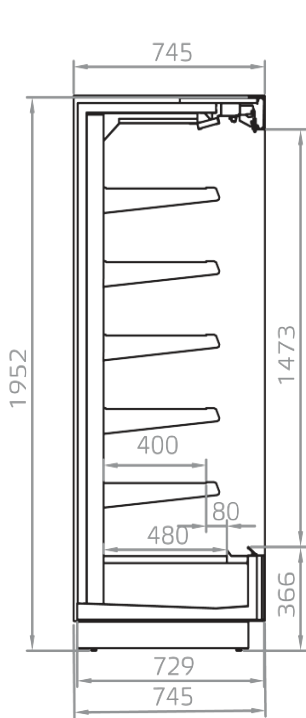
- CO2 refrigeration system
- Electronic valve
- Internal and external RAL colours
- LED lighting
- Movable and fix divider
- Shelf lighting LED/T5

A SELECTION FROM OUR INSTALLATION

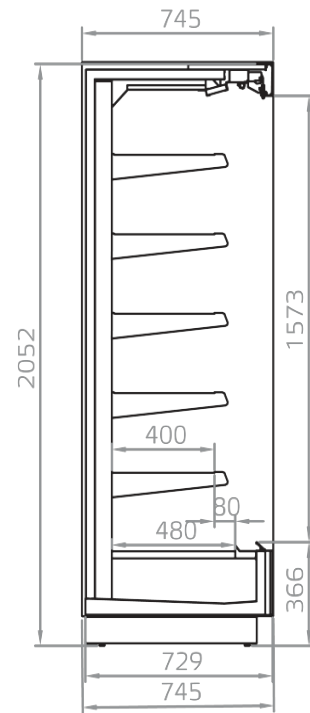




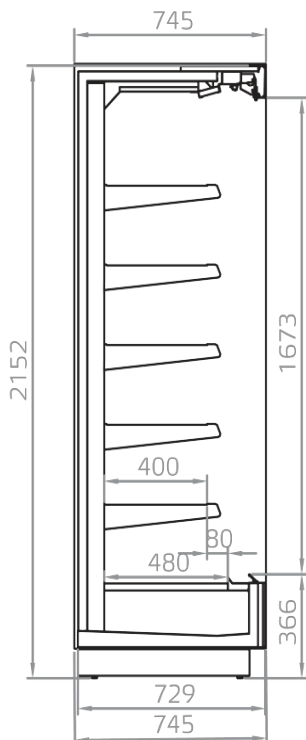
CROSS SECTIONS



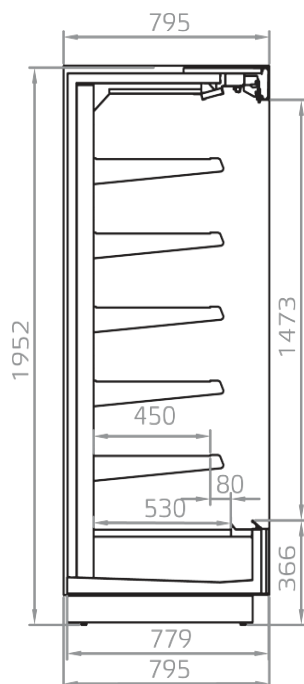
KALIFORNIA Q 400/1950 M1,M2



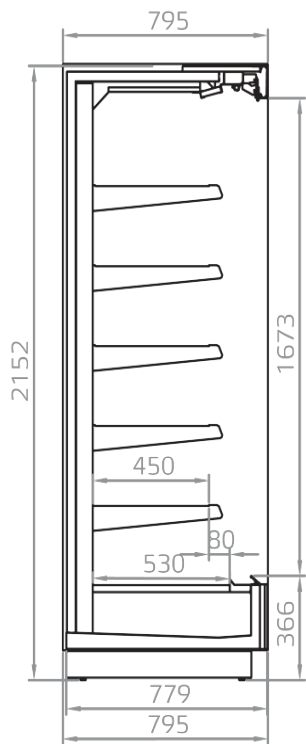
KALIFORNIA Q 400/2050 M1,M2



KALIFORNIA Q 400/2150 M1,M2



KALIFORNIA Q 450/1950 M1,M2



KALIFORNIA Q 450/2150 M1,M2



Pastorfrigor S.p.A.

Reg. Gabannone, 4 Z.I. · 15033 Terruggia (AL) · Italy
Tel. +39 0142 433 711 · Fax +39 0142 433 701 · info@pastorfrigor.it
P.IVA IT00578270068 | REA AL-00578270068
www.pastorfrigor.it